

CAUTION

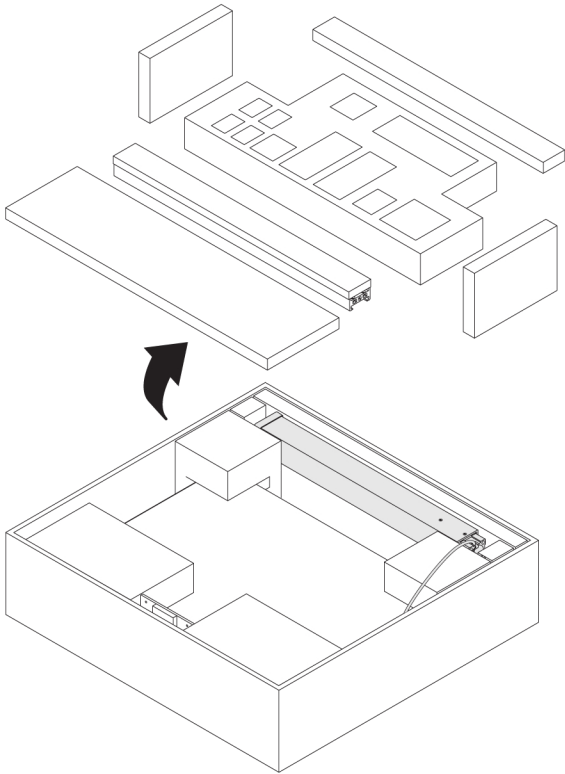


Work surface and column requires two people to remove from packaging. Do not disconnect cable from column or work surface.

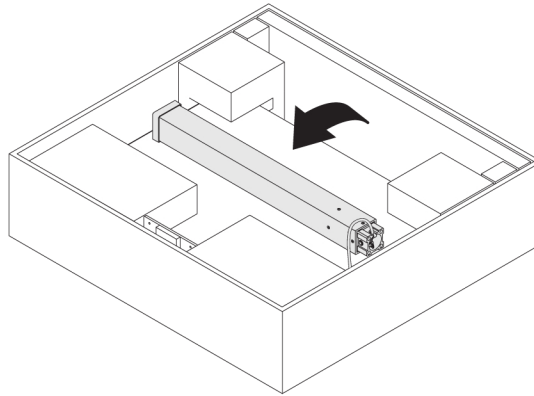
Winston Workstation Assembly

SMARTdesks®

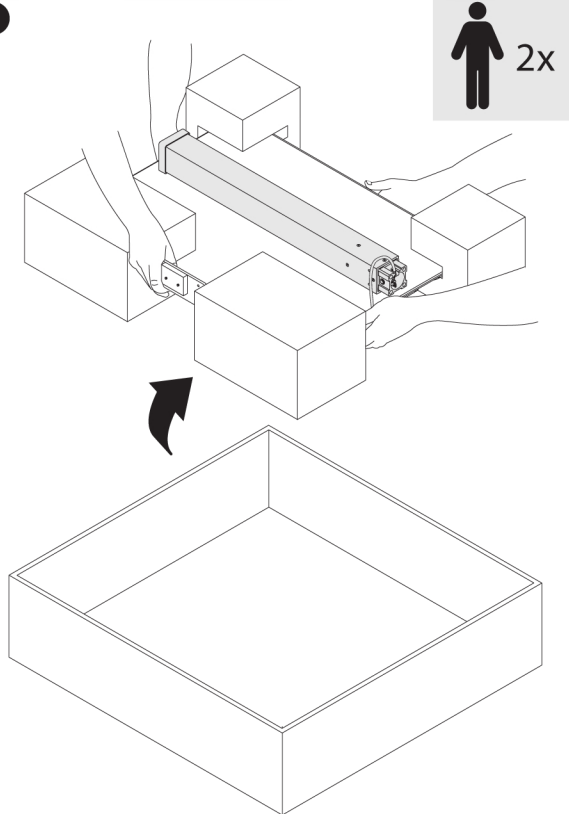
1



2



3



STEP 1 | MOUNTS

Free Standing Base.....	Page.3
Clamp Mount.....	Page 4
Thru Mount.....	Page 5

STEP 2 WORK SURFACE	Page.6
-----------------------------	--------

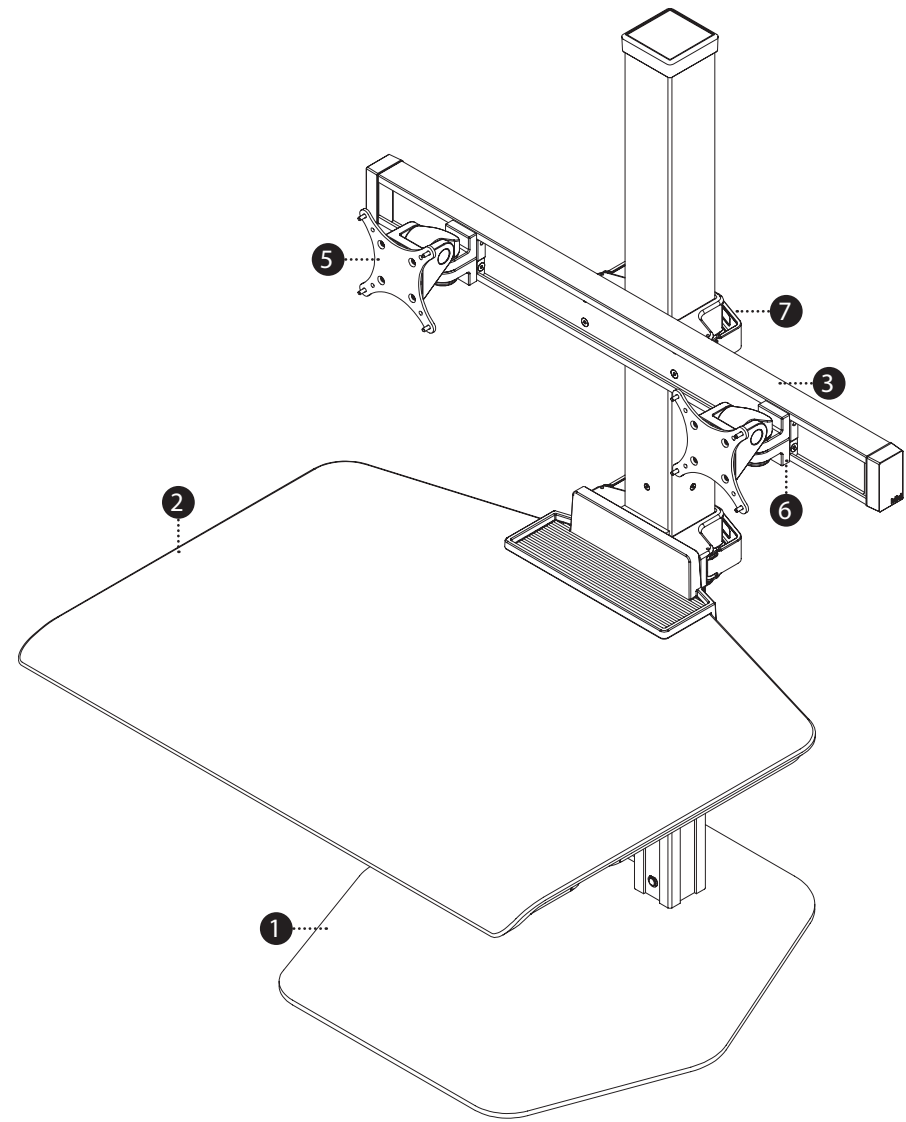
STEP 3 CENTER BEAM	Page.7.
----------------------------	---------

STEP 4 EXTENSION BEAMS (optional).....	Page 8
------------------------------------------	--------

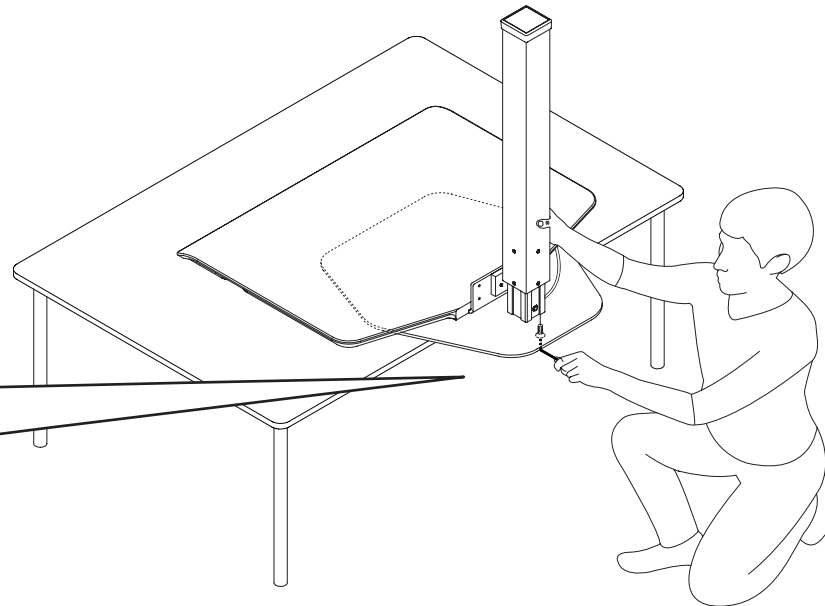
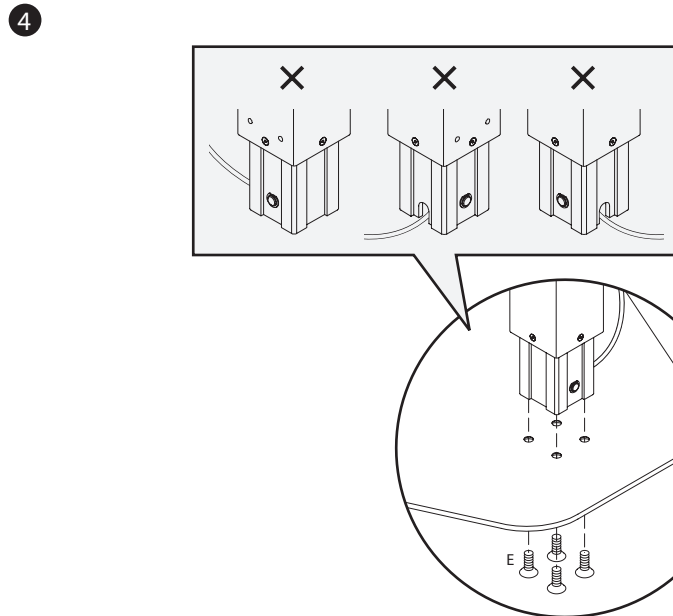
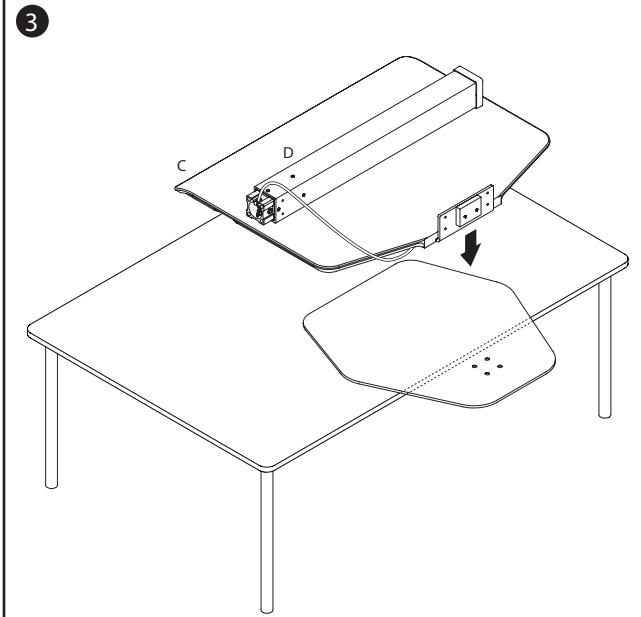
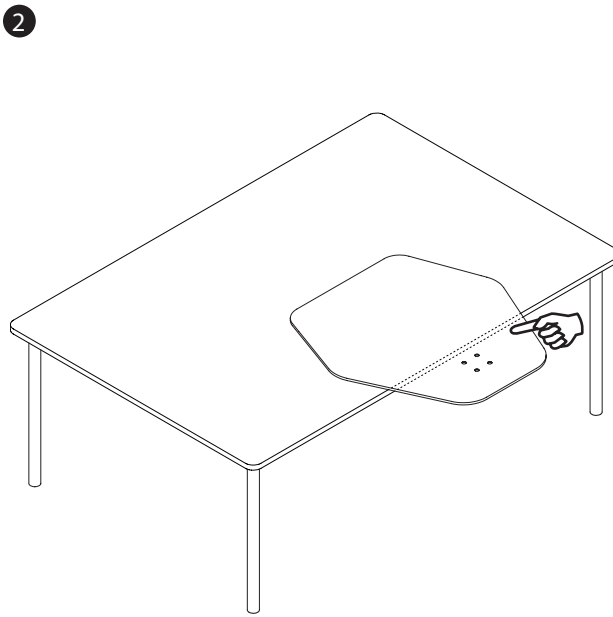
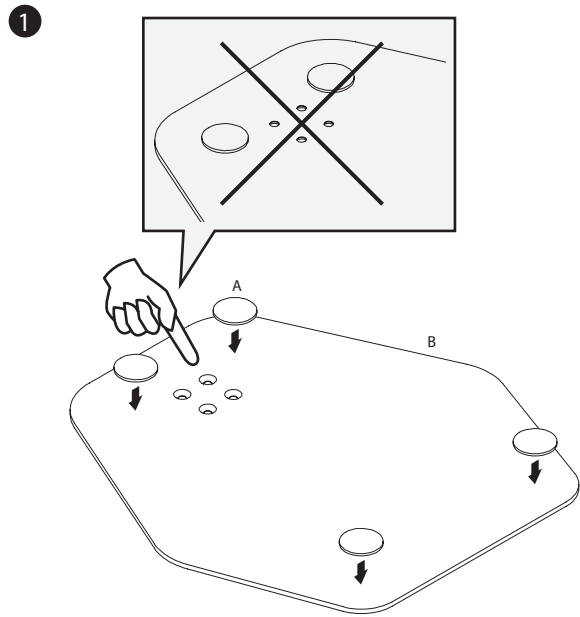
STEP 5 MONITOR TILTER	Page.9
-------------------------------	--------

STEP 6 MONITOR CUPS	Page.10
-----------------------------	---------

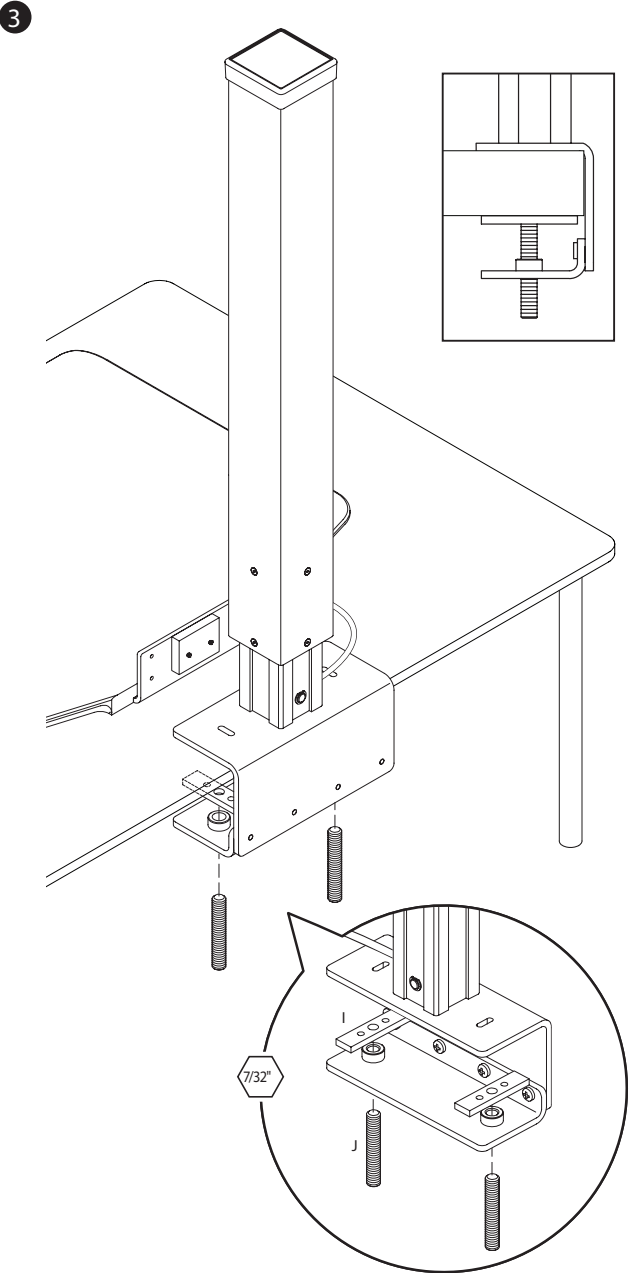
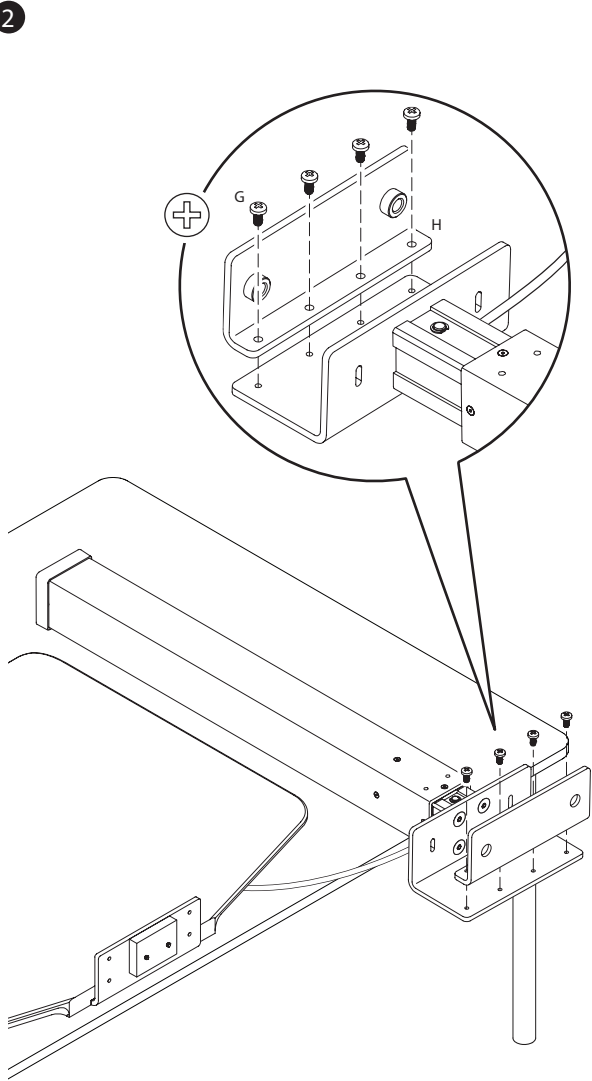
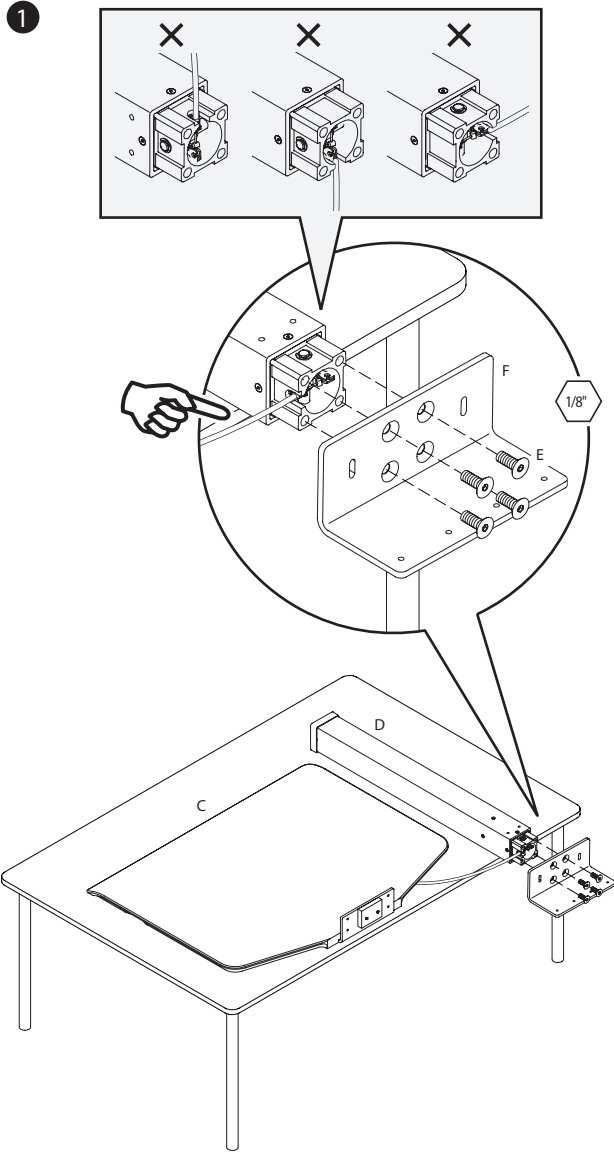
STEP 7 CABLE MANAGEMENT	Page 11
---------------------------------	---------



FREE STANDING BASE | MOUNTS

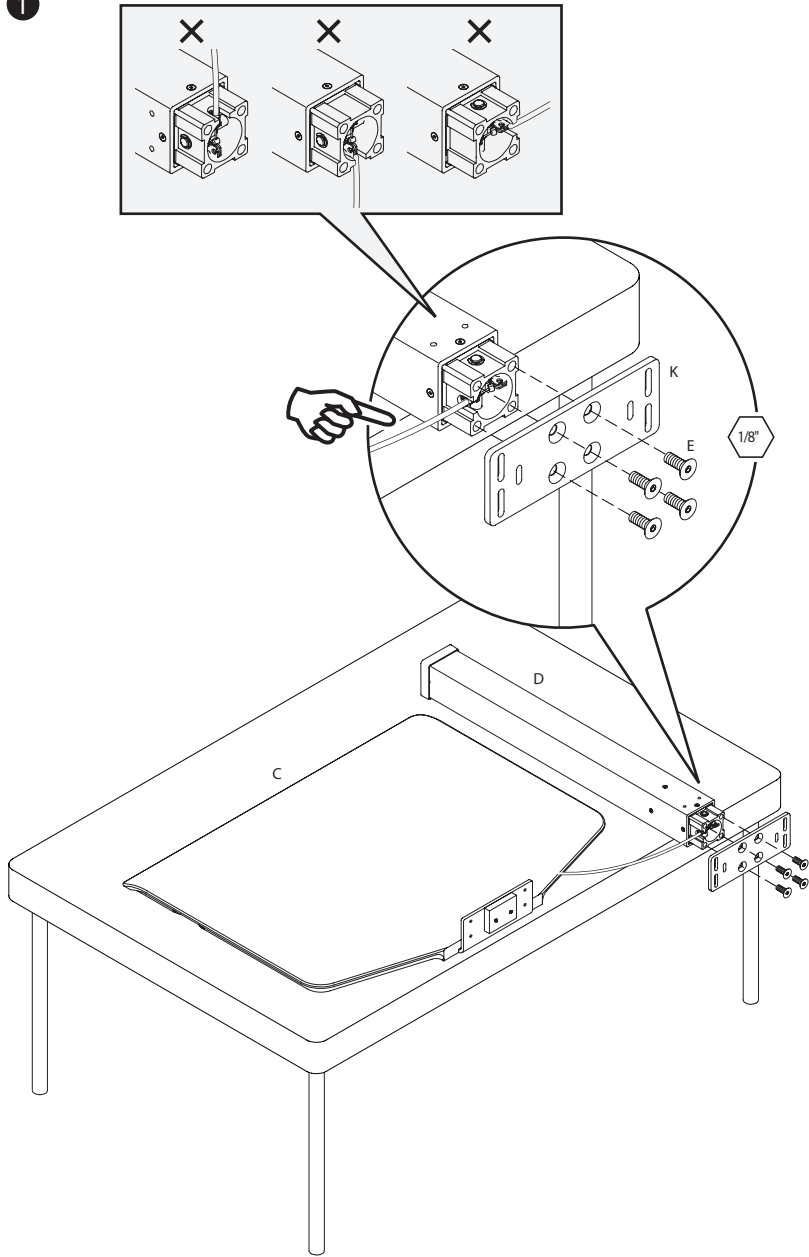


CLAMP MOUNT | MOUNTS

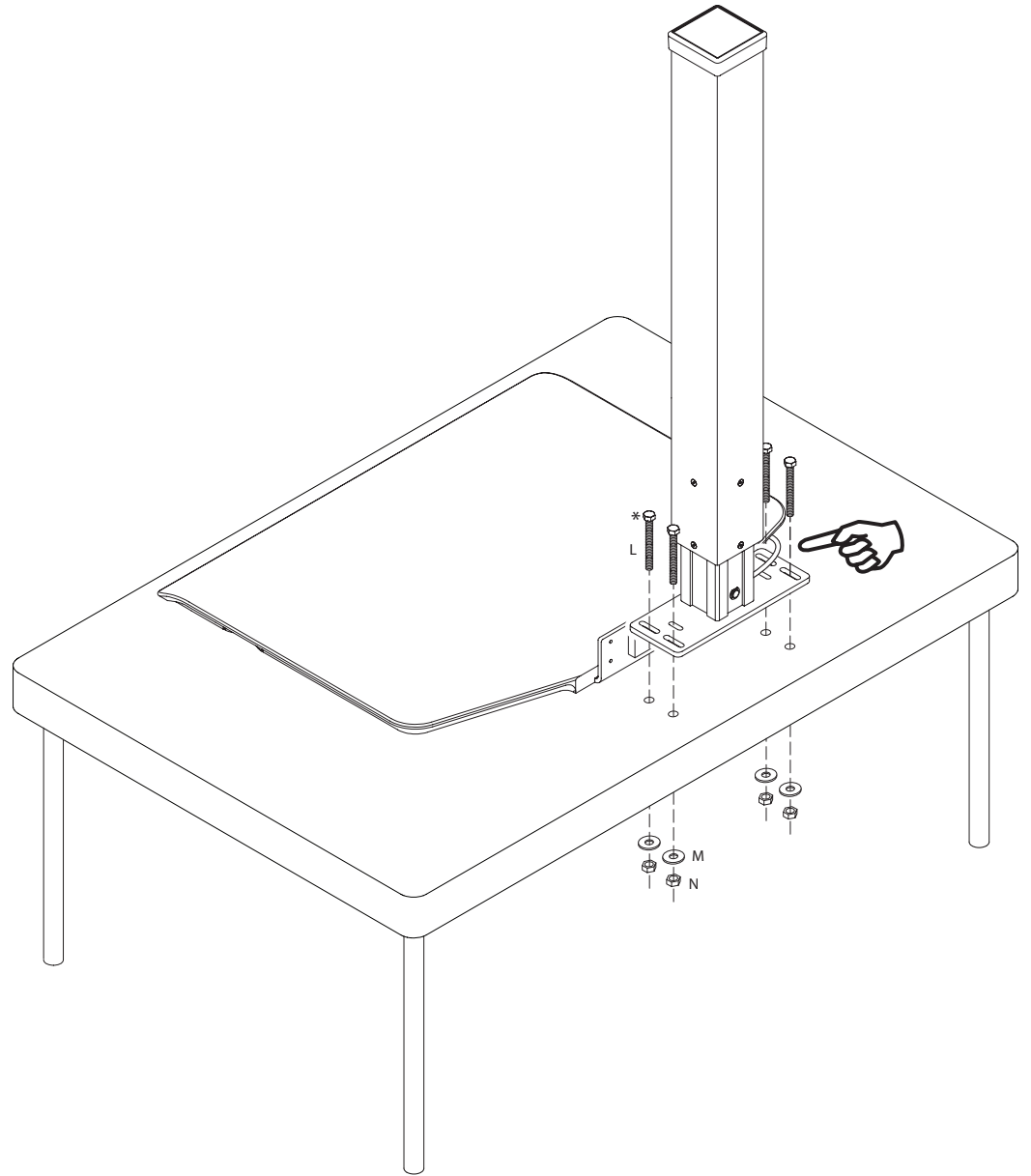


THRU MOUNT | MOUNTS

1



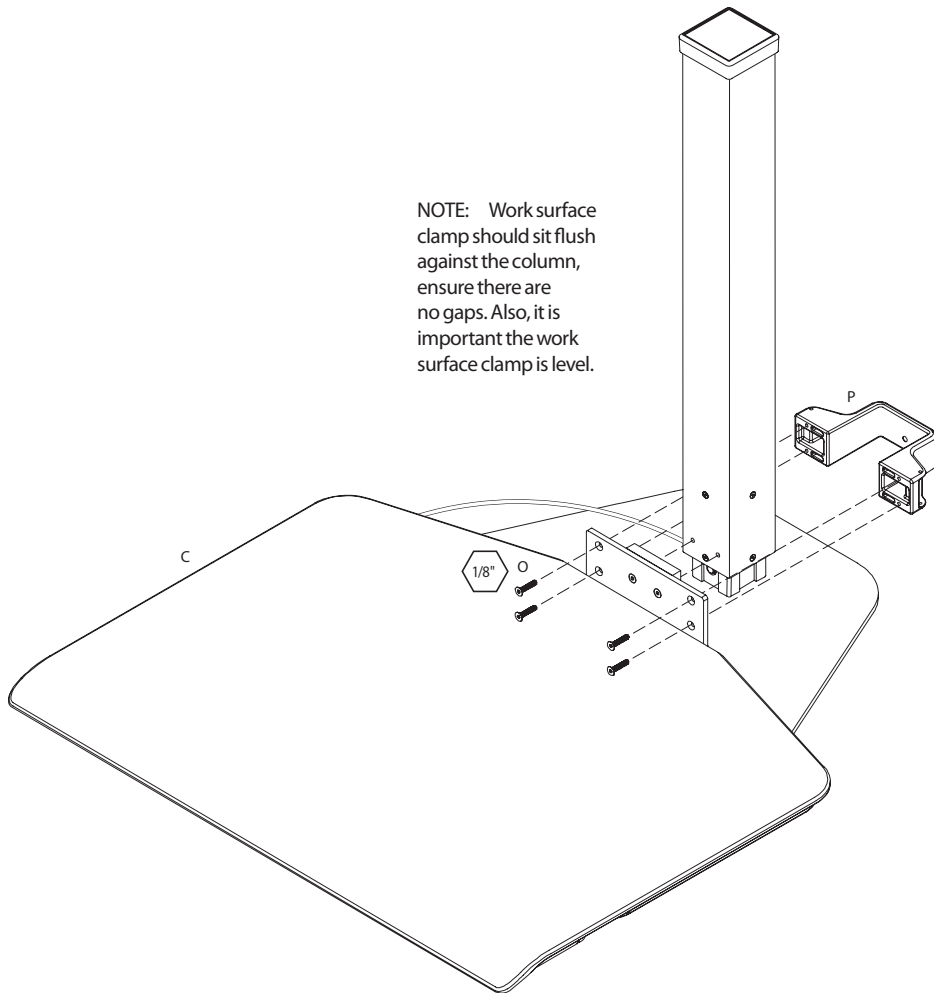
2



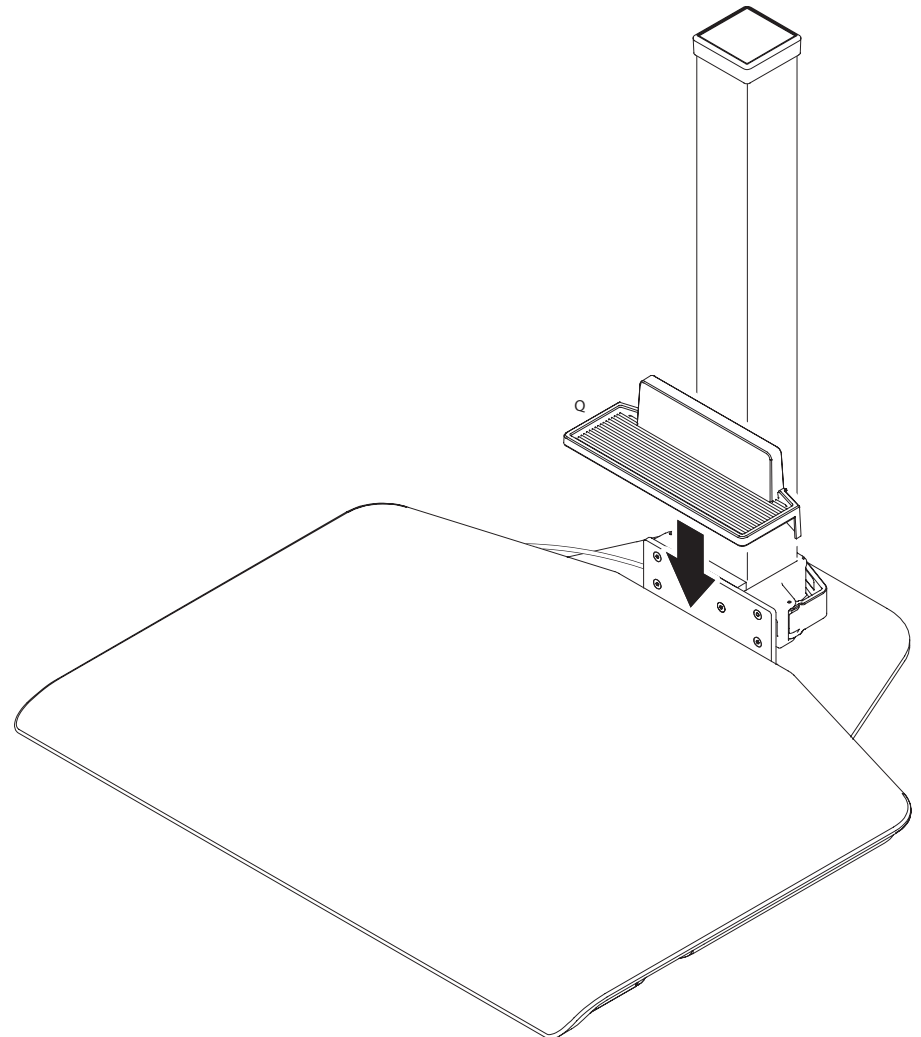
WORK SURFACE

1

NOTE: Work surface clamp should sit flush against the column, ensure there are no gaps. Also, it is important the work surface clamp is level.



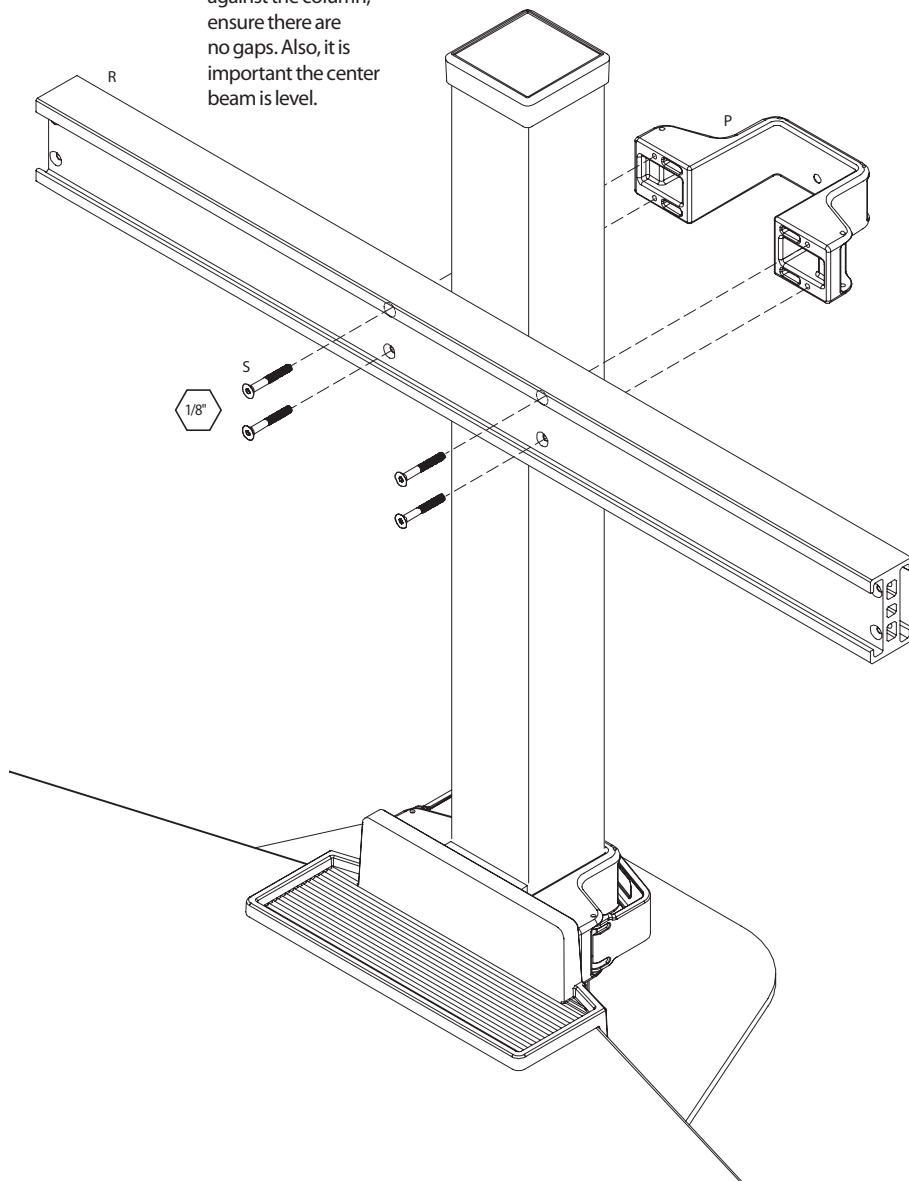
2



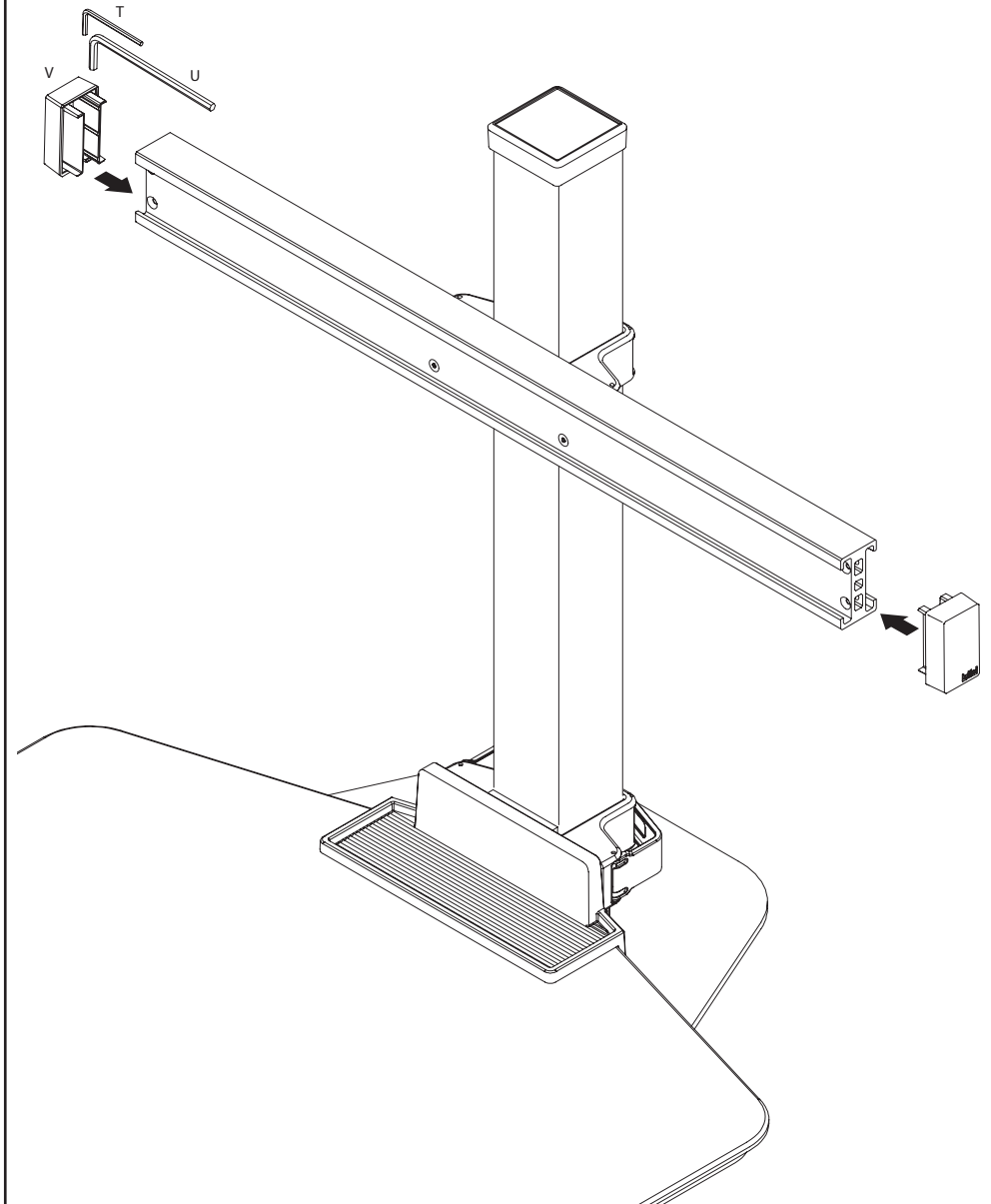
CENTER BEAM

1

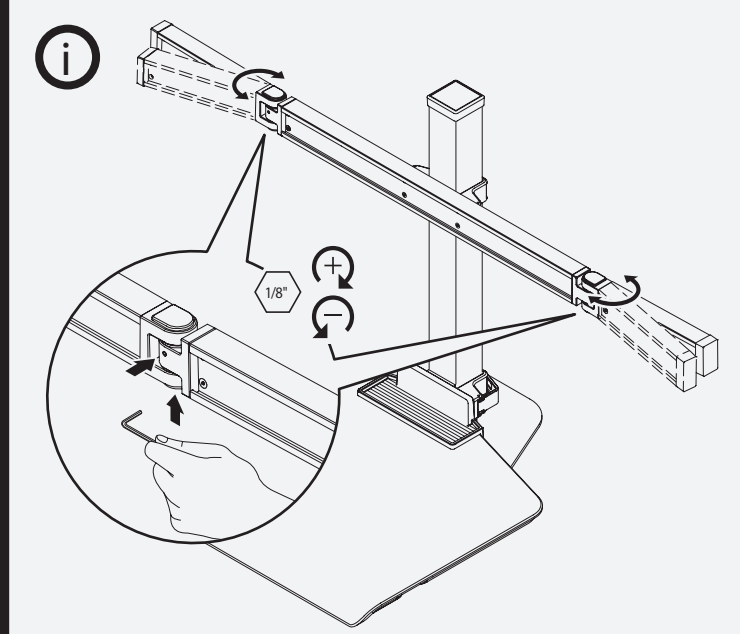
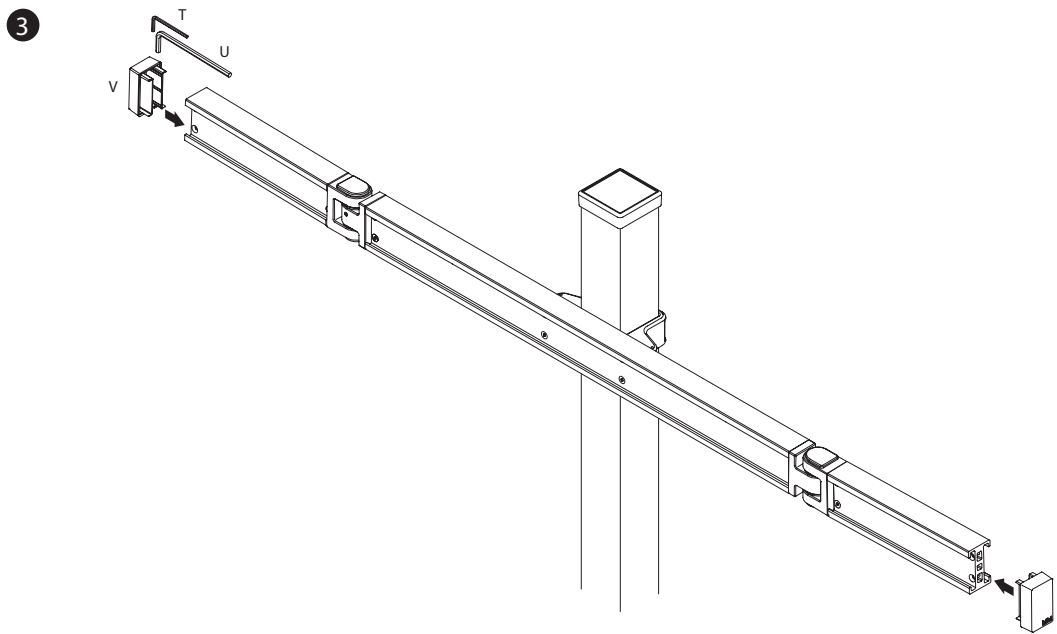
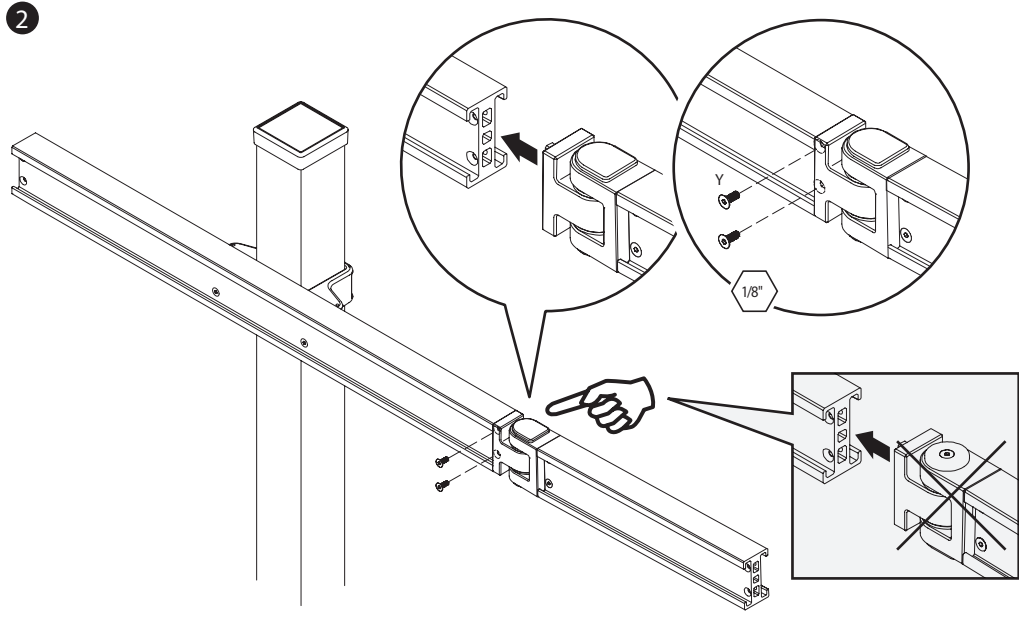
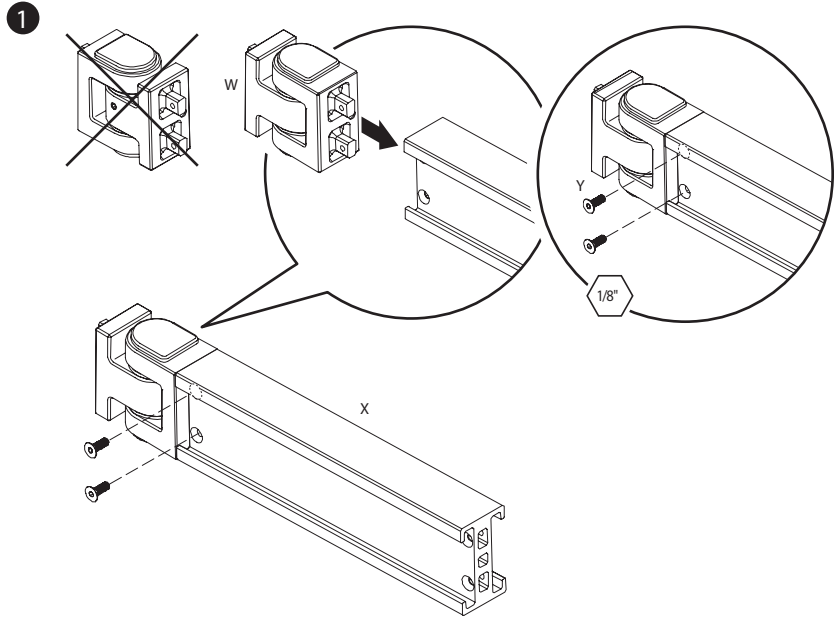
NOTE: The beam should sit flush against the column, ensure there are no gaps. Also, it is important the center beam is level.



2

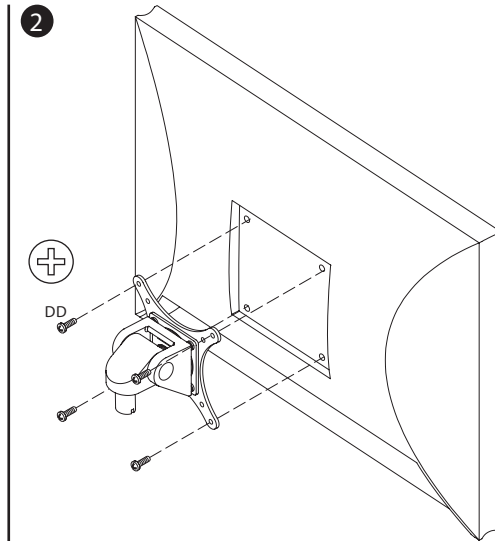
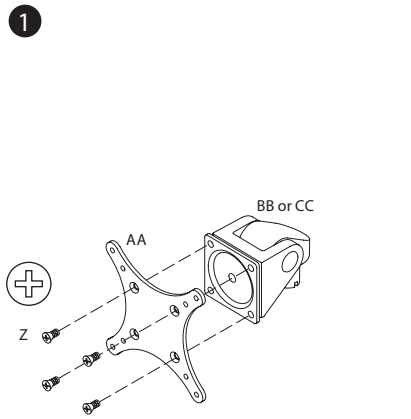


EXTENSION BEAMS

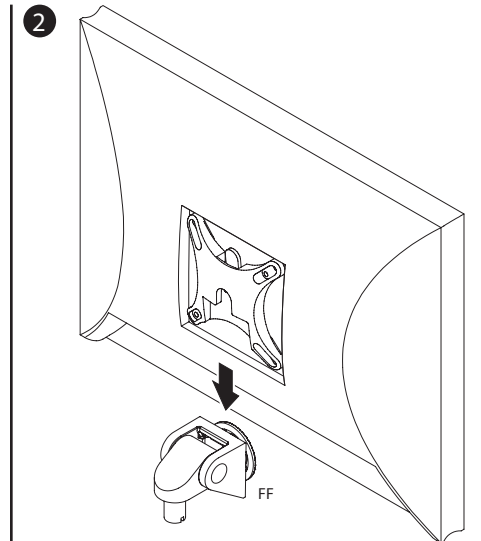
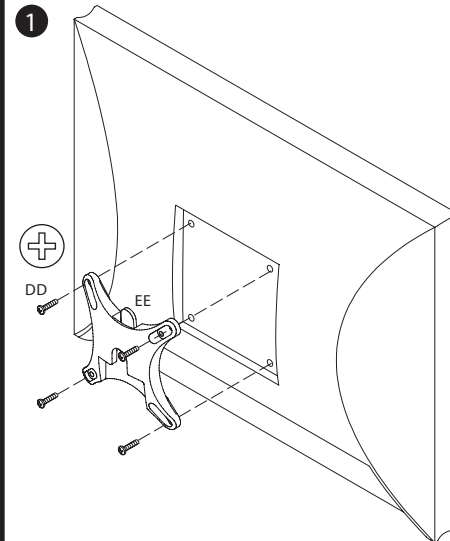


MONITOR TILTER

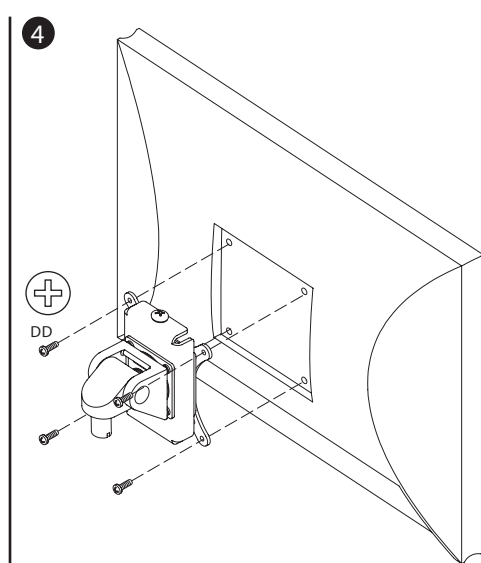
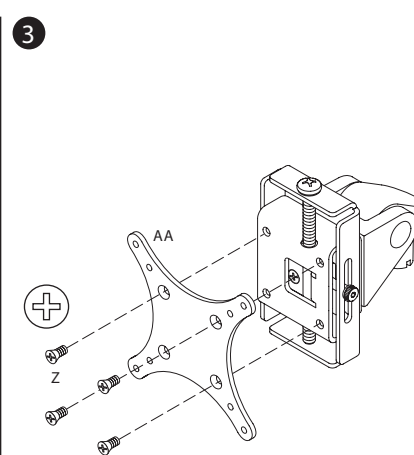
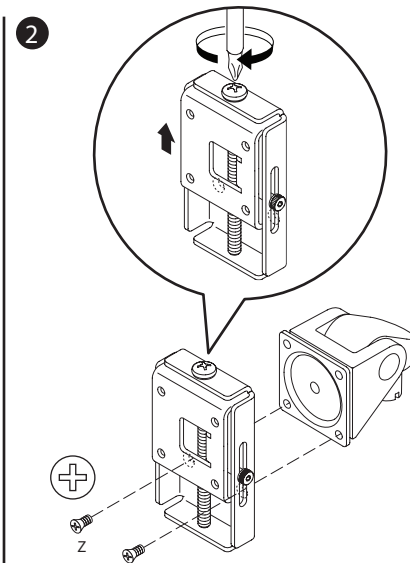
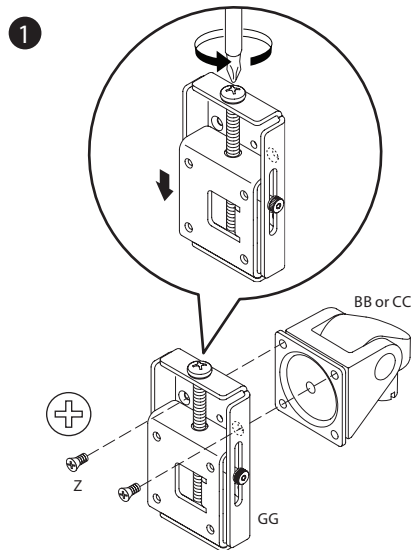
STANDARD TILTER & SPRING TILTER



QUICK RELEASE TILTER

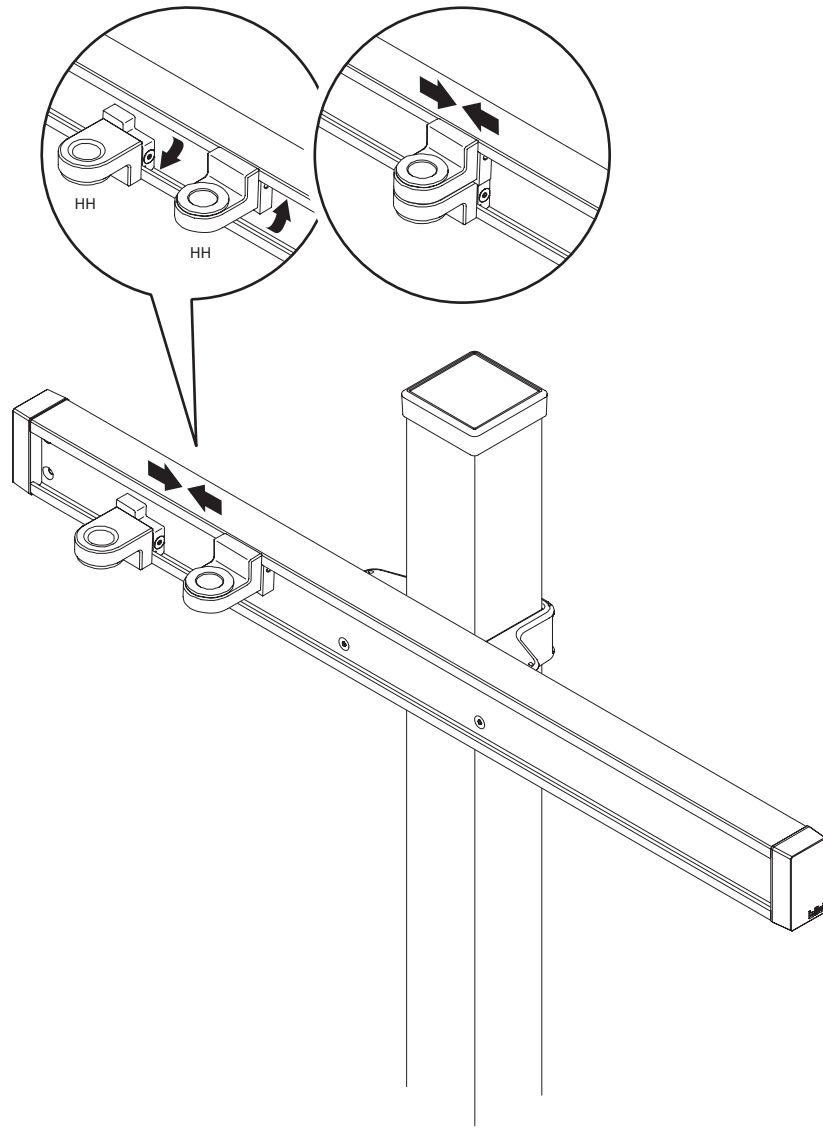


FINE TUNE HEIGHT ADJUST TILTER

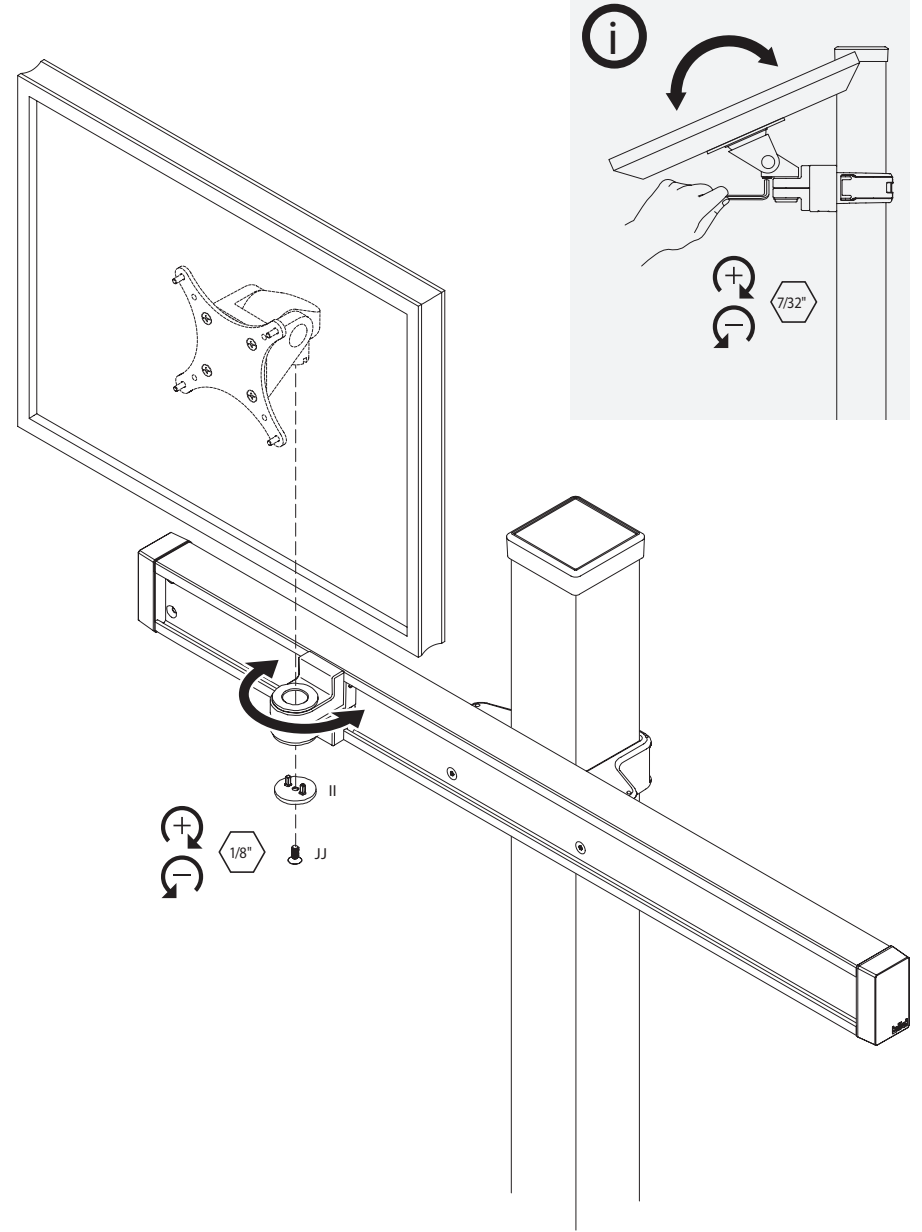


MONITOR CUPS

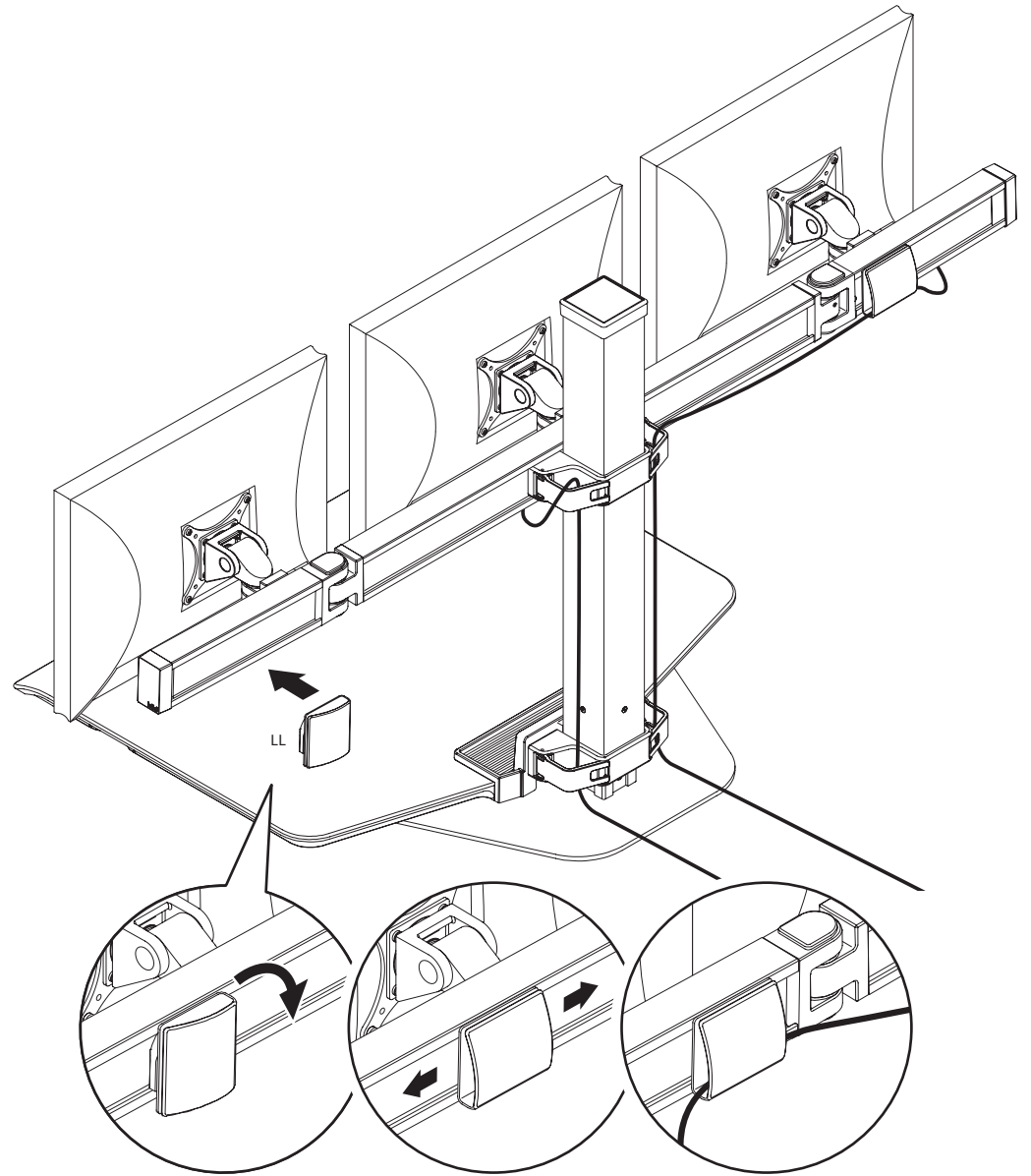
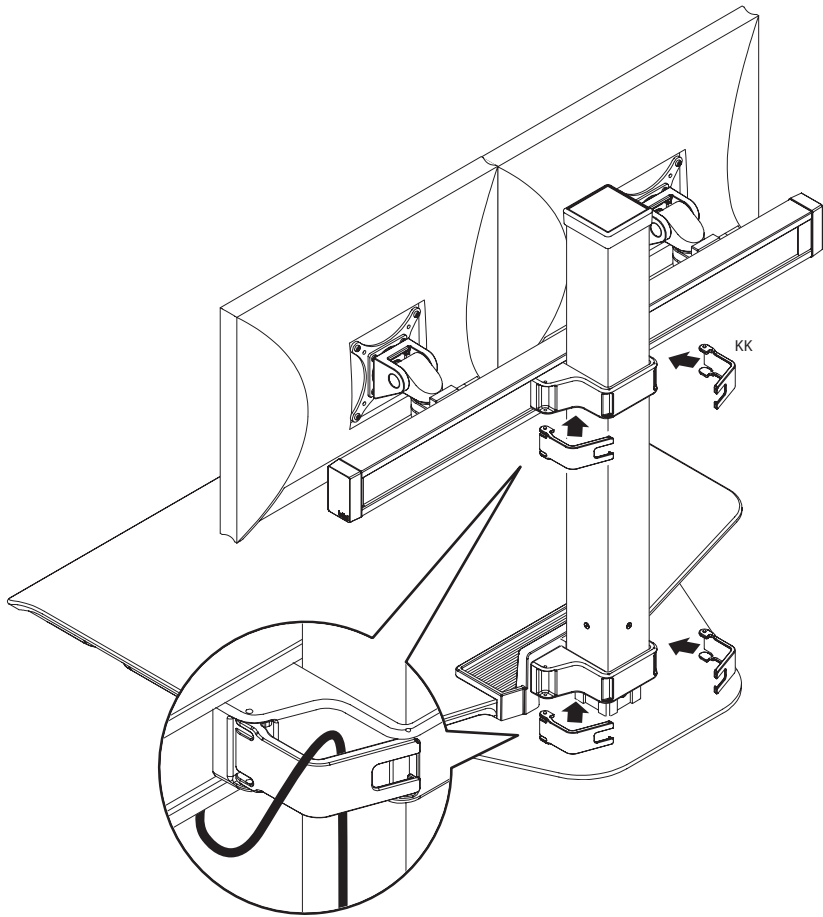
1



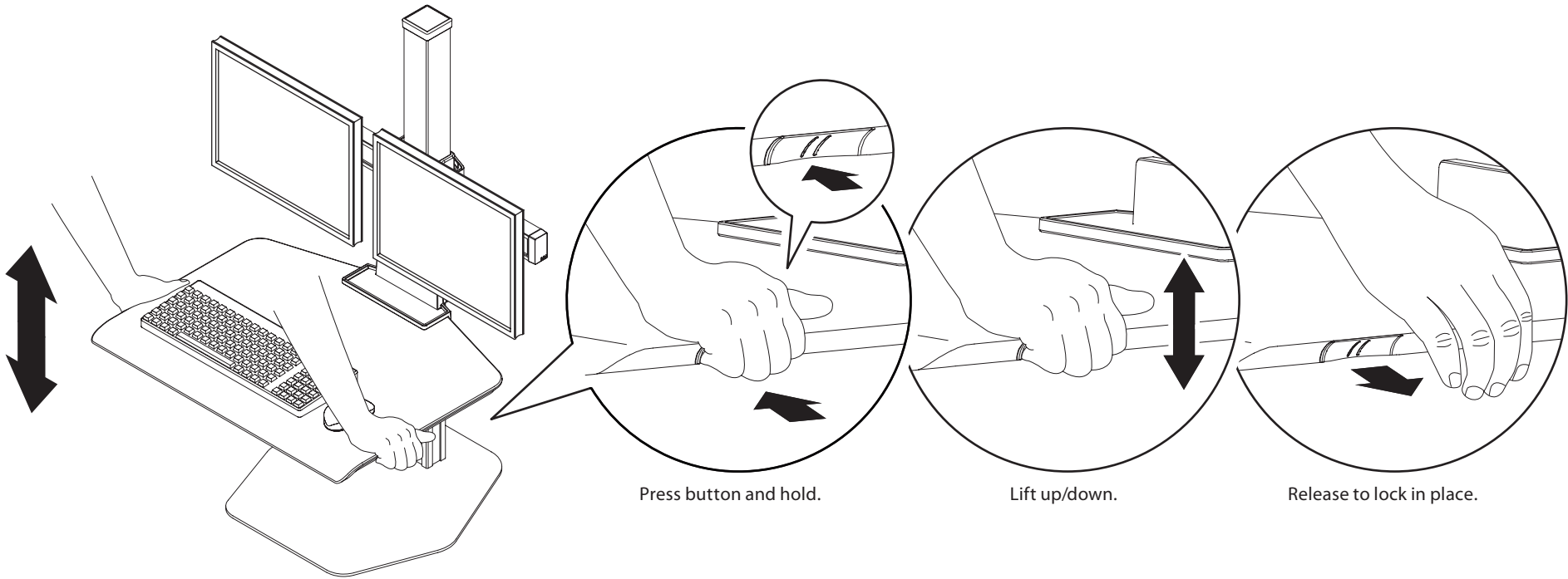
2



CABLE MANAGEMENT

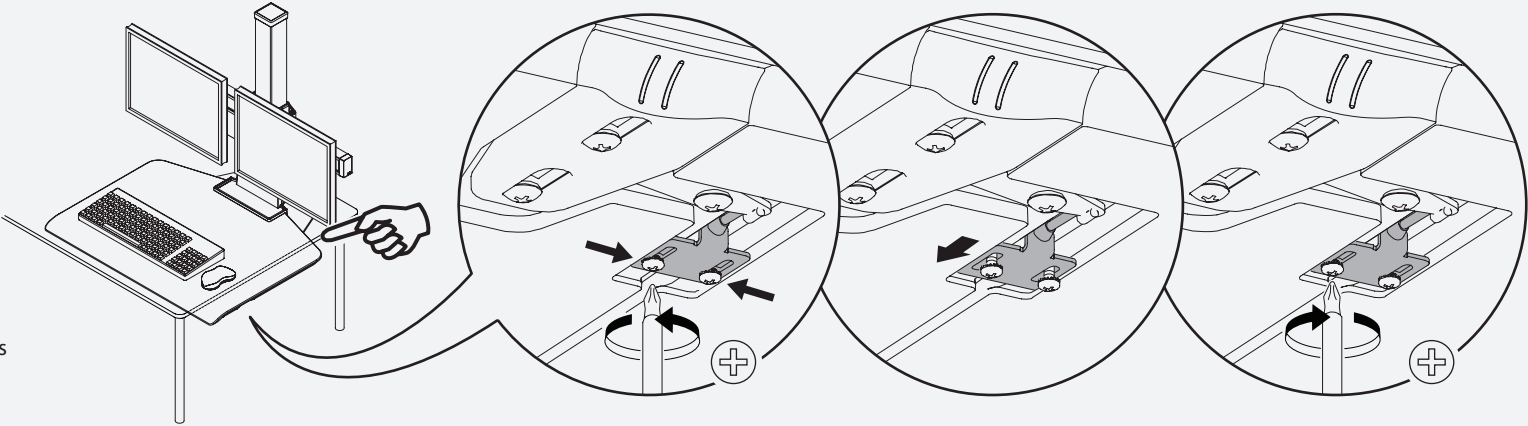



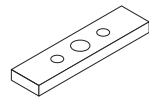
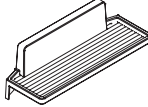

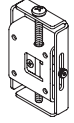


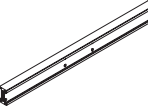

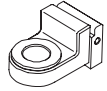
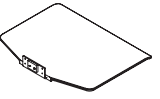
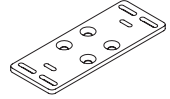
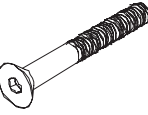

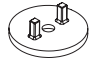
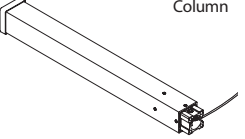
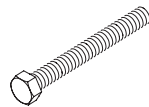

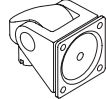

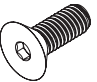


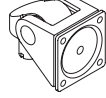
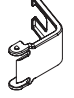
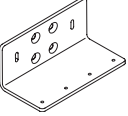

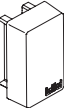
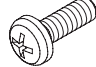
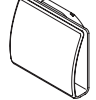


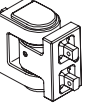

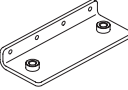
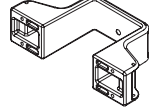
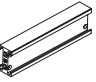
HEIGHT ADJUSTMENT



i Is your height adjust button not working?
If so, make the adjustments below.

- 1 Slide workstation so that the work surface hangs over desk edge to allow access to underneath the work surface.
- 2 Loosen the two screws as shown.
- 3 Slide bracket in the direction shown and tighten screws.
- 4 Test height adjust button – readjust by repeating the steps above as necessary.



<p>A Felt Pad</p> 	<p>I Spacer</p> 	<p>Q Utility Tray</p> 	<p>Y 1/4-20 x 1/2" FHSCS</p> 	<p>GG Fine Tune Adjust Adapter</p> 
<p>B Free Standing Base</p> 	<p>J 1/2-13 x 3" Set Screw</p> 	<p>R Center Beam (30")</p> 	<p>Z 10-32 x 3/8" PhPHS</p> 	<p>HH Monitor Cup</p> 
<p>C 30-inch Work Surface</p> 	<p>K Thru Mount Base Plate</p> 	<p>S FHSCS 10-32 x 1-1/2"</p> 	<p>AA 75/100 mm VESA Addapter</p> 	<p>II Dog Washer</p> 
<p>D Column</p> 	<p>L 1/4-20 x 2-1/2" Hex Head Bolt</p> 	<p>T 1/8" Allen Wrench</p> 	<p>BB Standard Monitor Tilter</p> 	<p>JJ 10-32 x 1/2" FHSCS</p> 
<p>E 3/8-16 x 1" FHSCS</p> 	<p>M Thru Mount Washer</p> 	<p>U 7/32" Allen Wrench</p> 	<p>CC HD Monitor Tilter</p> 	<p>KK Column Cable Clip</p> 
<p>F Large "L"</p> 	<p>N Thru Mount Nut</p> 	<p>V End Cap</p> 	<p>DD M4 x 12mm PhPHS</p> 	<p>LL Extension Beam Cable Clip</p> 
<p>G 1/4-20 x 1/2" PhPHS</p> 	<p>O FHSCS</p> 	<p>W Hinge</p> 	<p>EE QRVESA Adapter</p> 	
<p>H Small "L"</p> 	<p>P Column Clamp</p> 	<p>X Extension Beam (10" or 20")</p> 	<p>FF QR Monitor Tilter</p> 