



These instructions also apply to:

- Motif Computer Conference Tables
- flipIT Lift Desks
- iLid DUO Desks
- Work from Home Desks

Universal Assembly Instructions

In practice, all SMARTdesks assemble using the same approach. They differ in whether they are a simple desktop, a flipIT® desktop, or flat panel FP Series desktop with monitor port and shelf. The Newpath laptop desks have contoured panels and tops, but the approach to assembly is the same,

using Conformat Screws for assembling the cabinets and Lamello Cabineo surface connectors for attaching the top to the base cabinets.

These instructions were photo illustrated with the FI Series flipIT® models. It will show the keyboard/mouse trays being installed at an early stage when gravity is your friend. If your specific desk does not

include a keyboard/mouse tray, please disregard. This would be true for desks with the flipIT Laptop Safe®.

You will note that the main difference between the single and the double is the additional CPU bay. The approach to assembly is the same for both models. These instructions will emphasize the double.



Newpath and LT Series Desks have no keyboard trays or CPU cabinets. flipIT Laptop Safe® instructions apply after desk assembly.



The DT Series desktop may include separate instructions for accessories, such as LCD arms from the LCD arm manufacturer.

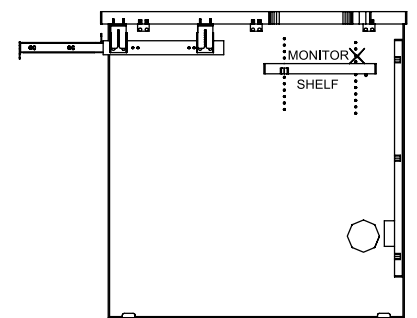
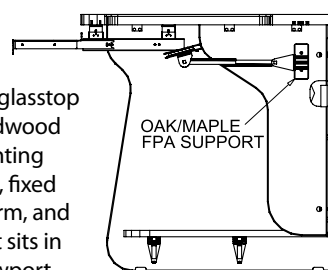


The FP Series Desk has an adjustable depth monitor shelf that installs with pins after desk assembly.



The LT Series laptop desk

The MiraVista glasstop desk has a hardwood brace for mounting the adjustable, fixed position LCD arm, and plate glass that sits in the routed viewport.



Tools Required

- Screw gun
- 4mm hexagon bit for Confirmats (provided)
- 4mm ball head hexagon bit for Lamello Cabineo surface connectors (provided)

Pre-Assembly:

Use a furniture blanket to prepare a safe workspace for finished surfaces.



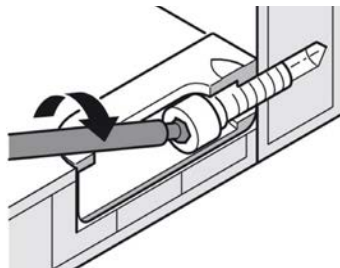
Install Lamello Cabineo Surface Connectors

The milled locations are easy to identify. Simply tap the surface connectors into these locations with a hammer. Avoid full power pounding!!

The tip of the screw ships "proud" which enables easy assembly.

The diagram shows how the surface connector works. The 4mm ball end hexagon bit is used with a screw gun to make the surface connection. The ball end is used because the access to the screw head is at an angle.

Note: The 4mm ball head hexagon bit for Lamello Cabineo surface connectors can be turned around to make a straight 4mm hexagon bit for Confirmats. This is recommended to extend the tool life of the ball end.



Install Levelers | Floor Glides | Locking Casters

Place black metal trim parts in position over the hole and install the threaded insert using the 6mm hex key (provided).

DO NOT USE A SCREW GUN.

Install the threaded floor glides or locking casters into the inserts.

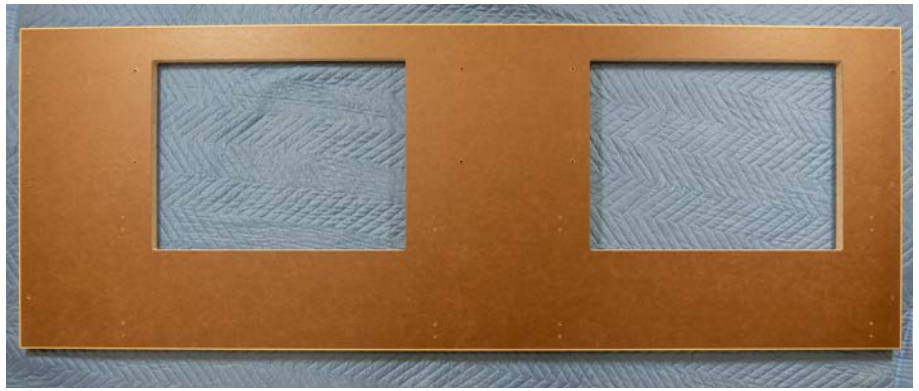


Assembly:

On the floor, use a furniture blanket to prepare a safe workspace for finished surfaces. If using carpet, vacuum to make sure nothing sharp, like a paper clip, thumb tack, or stray wood screw is present to ruin the furniture surface.

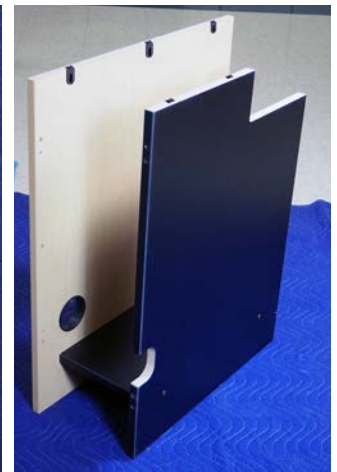
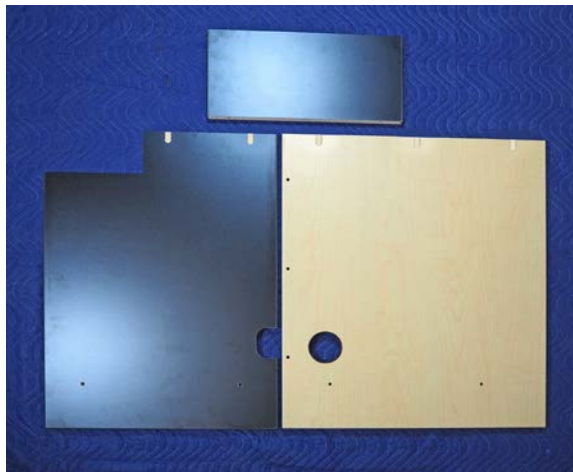
Install keyboard/mouse tray, if the model includes it.

Eight Phillips head wood screws will be found for each keyboard/mouse tray. It is best to install this before installing cabinets, as depicted, because access to the screw locations is limited.



Assemble CPU Cabinets

The end CPU cabinet will be black on the inside and a laminate color chosen by the client on the outside. In this manual, the inside laminate was chosen to be fusion maple for clarity in showing the pilot hole locations. Expect the inside color to be black.



Align the shelf to the end panel, then use the 4mm hex tool in a screw gun to mount the shelf using Bronze Confirmat Screw Connectors.



CPU Cabinet Assembly, continued.

With the shelf now attached to the end panel with Confirmats, match up the shelf to the all black cabinet panel.



Complete the end panel CPU cabinet by securing with two Confirmats using the 4mm hex drive and screw gun.



The double desk has a second CPU cabinet. The photo shows the parts and the completed assembly.



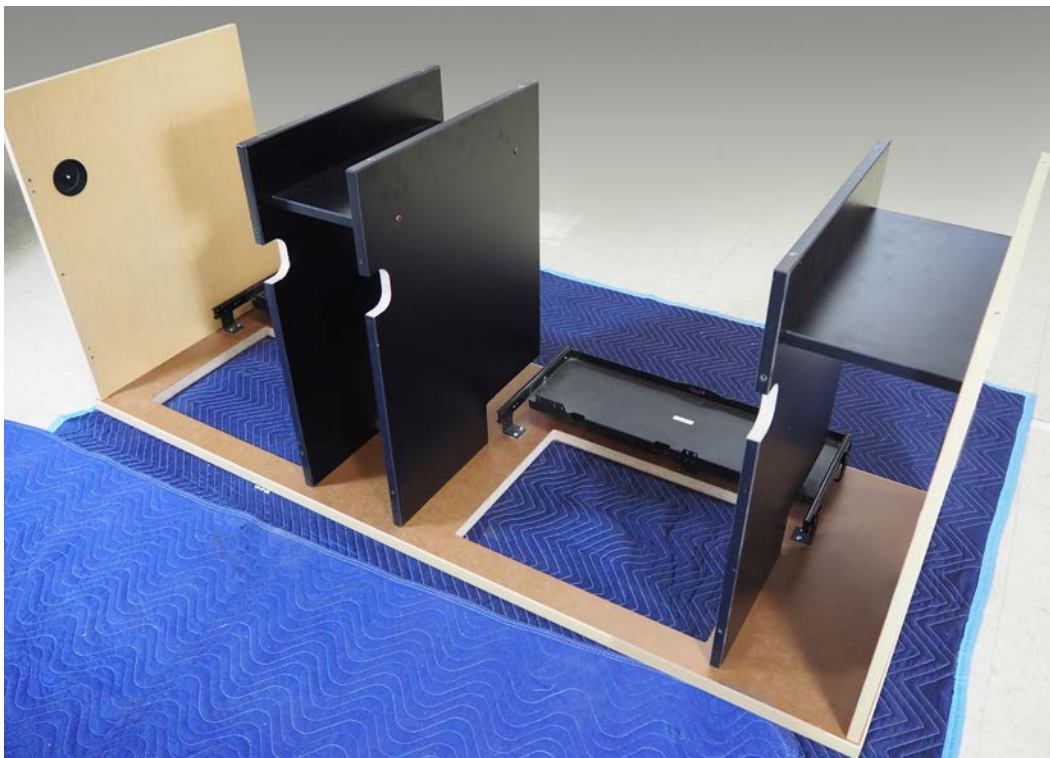
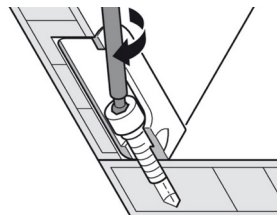
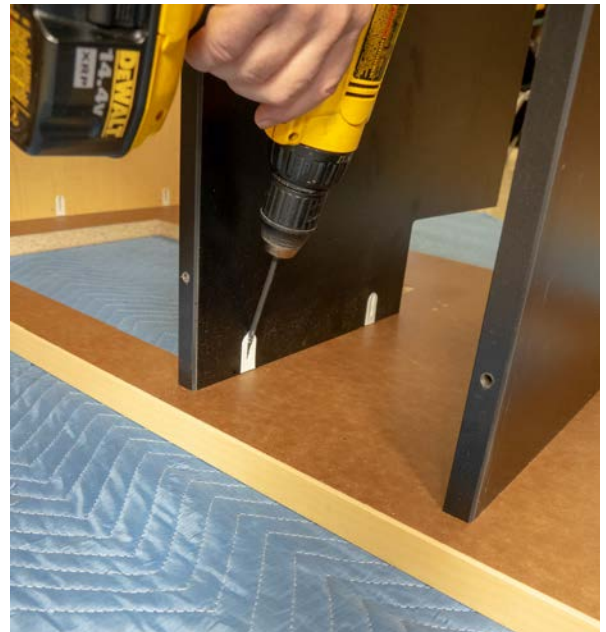
It goes together exactly like the end panel:

- Align the shelf with the side panel
- Install with Confirmat screws
- Align the second side to the installed shelf
- Install with Confirmat screws.



Attach base cabinet assemblies and panels to the top with Lamello Cabineo Surface Connectors

- The screws of the surface connectors are outset to facilitate locating them in the pilot holes.
- Note the locations of the wire pass-throughs and 80mm wire grommet: they should be at the back side of the top, opposite of the user side.
- Start with the end panel with the CPU cabinet assembly.
- If you are assembling a double, set the middle CPU cabinet assembly.
- If you are assembling a single or a double, set the end panel next.
- Use the ball end 4mm hex driver in a screw gun to drive the surface connectors into the top.
- The point of using a ball end hex driver is to let you drive a square fitting at an angle. Use this design feature to your advantage.



Note that the keyboard trays have been mounted prior to mounting the base panels.

If you skipped this step, please help yourself out and install them sooner, rather than later.

If you are assembling a desk for laptops, keyboard trays will not be included.

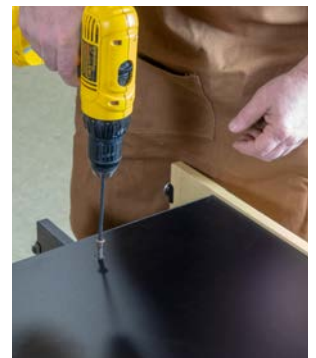
Turn desk for placement of the modesty panel



- Check to see that the pilot hole patterns of the modesty panel line up with the ones in the base panels.
- Let gravity do the work. Move the modesty panel around so the dowels locate the base cabinet(s) and panel.



- Use the straight end of the 4mm hex drive in a screw gun to install three Confirmats to secure the side panels to the modesty panel.
- Use Confirmats through the modesty panel to secure it to the CPU base cabinets.





And that's it!

Please refer to flipIT® instructions if you are completing a flipIT® FI Series Desk.



Newpath and LT Series Desks have no keyboard trays or CPU cabinets. flipIT Laptop Safe® instructions apply after desk assembly.



The DT Series desktop may include separate instructions for accessories, such as LCD arms from the LCD arm manufacturer.

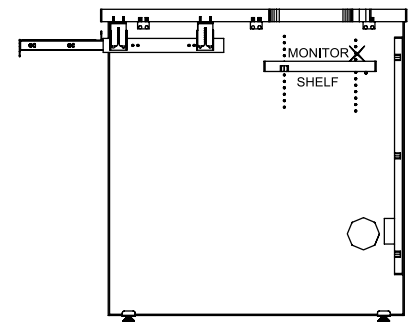
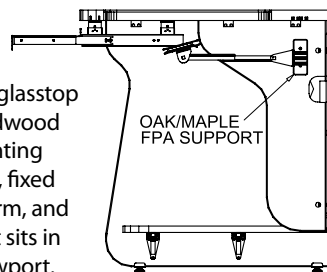


The FP Series Desk has an adjustable depth monitor shelf that installs with pins after desk assembly.



The LT Series laptop desk

The MiraVista glasstop desk has a hardwood brace for mounting the adjustable, fixed position LCD arm, and plate glass that sits in the routed viewport.



UNIVERSAL DESK ASSEMBLY INSTRUCTIONS



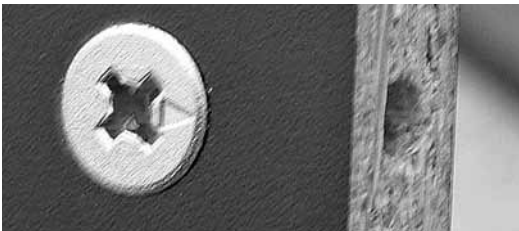
Assembly approach:

On a carpet or furniture blanket, place the desktop on the floor face down.

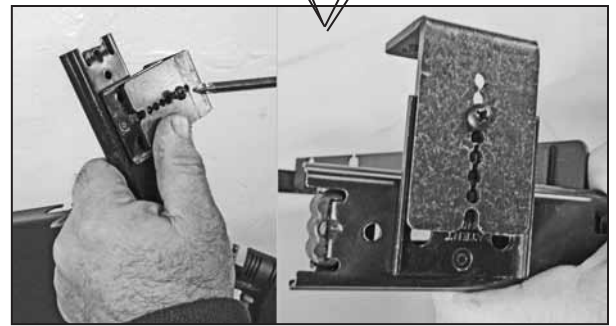
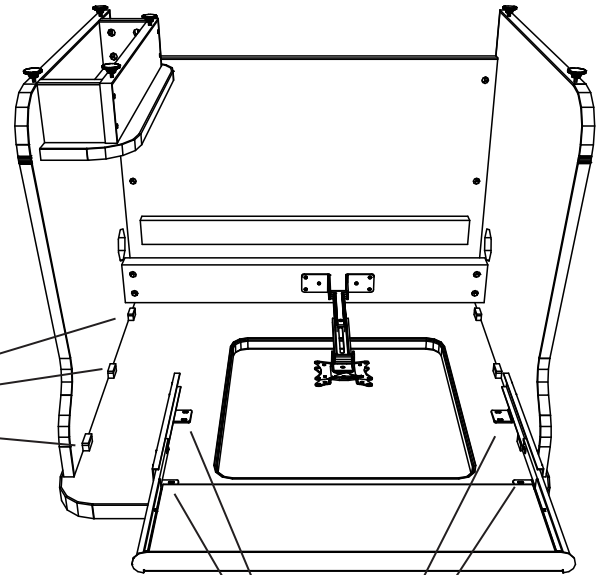
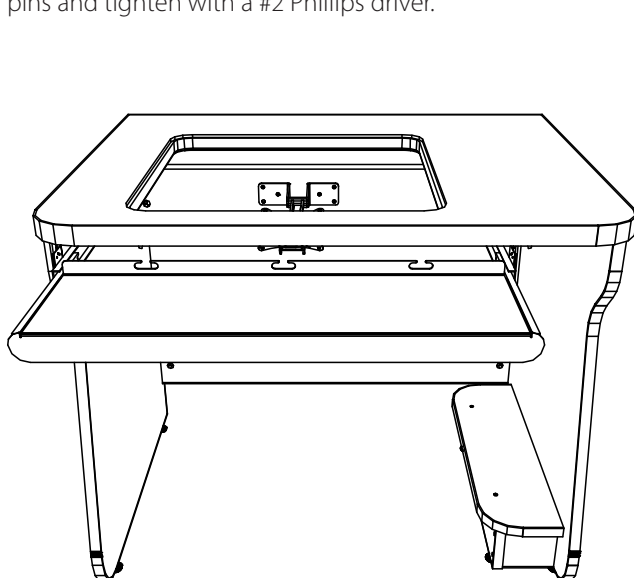
Install the side panels to the top, pushing the plastic fittings into the holes provided. Tighten set screws (#2 Phillips) to lock the pieces together. Do not overtighten.



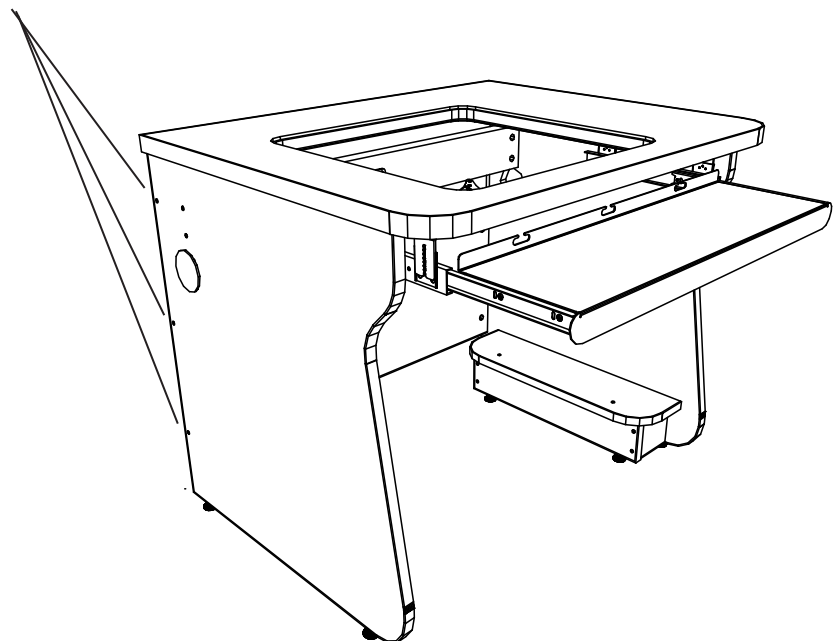
These plastic fittings come apart, install in the sides and top with the screw part in the sides. Capture the fittings and tighten the screw.

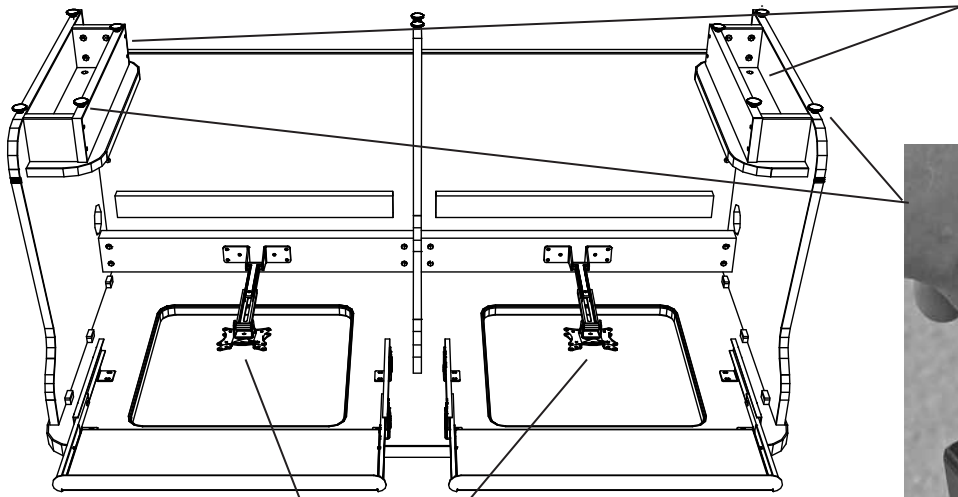


On the modesty panel, align the cam arrows with the holes, then insert the pins and tighten with a #2 Phillips driver.

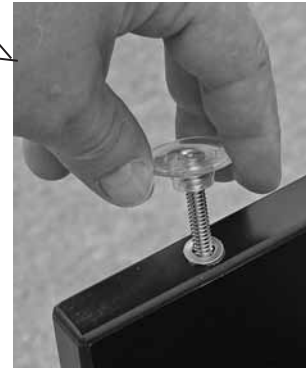


Assemble tabs to the keyboard trays tabs in. Use the third hole from the bend and see if this fits your keyboard. Install the keyboard tray with 1/2" #8 thread wood screws.





Make a sub assembly of the CPU stages, assembling with pins and cams, then install to side panels with pins and cams.



Spin in the floor glides all the way, then see if you need to make adjustments when the desk is installed in its final position.



Sub assemble the Flat Panel Arm to the hardwood board that serves as a support beam. Install with wood screws. Install the assembly to the desk sides and center panel with pins and cams.

The VESA mount is universal for installation of LCD monitors at 100mm or 75mm mounting hole locations using your monitor's mounting screws.



The double desk has a center support panel which installs with pins and cams. The FPA arm supports are installed into it using double-ended pins. For this reason, you need to assemble the arm supports together with the center support and install this as one piece into the modesty panel, top and sides.

Turn unit over and place it on its feet.

Place plate glass into viewing frame.

