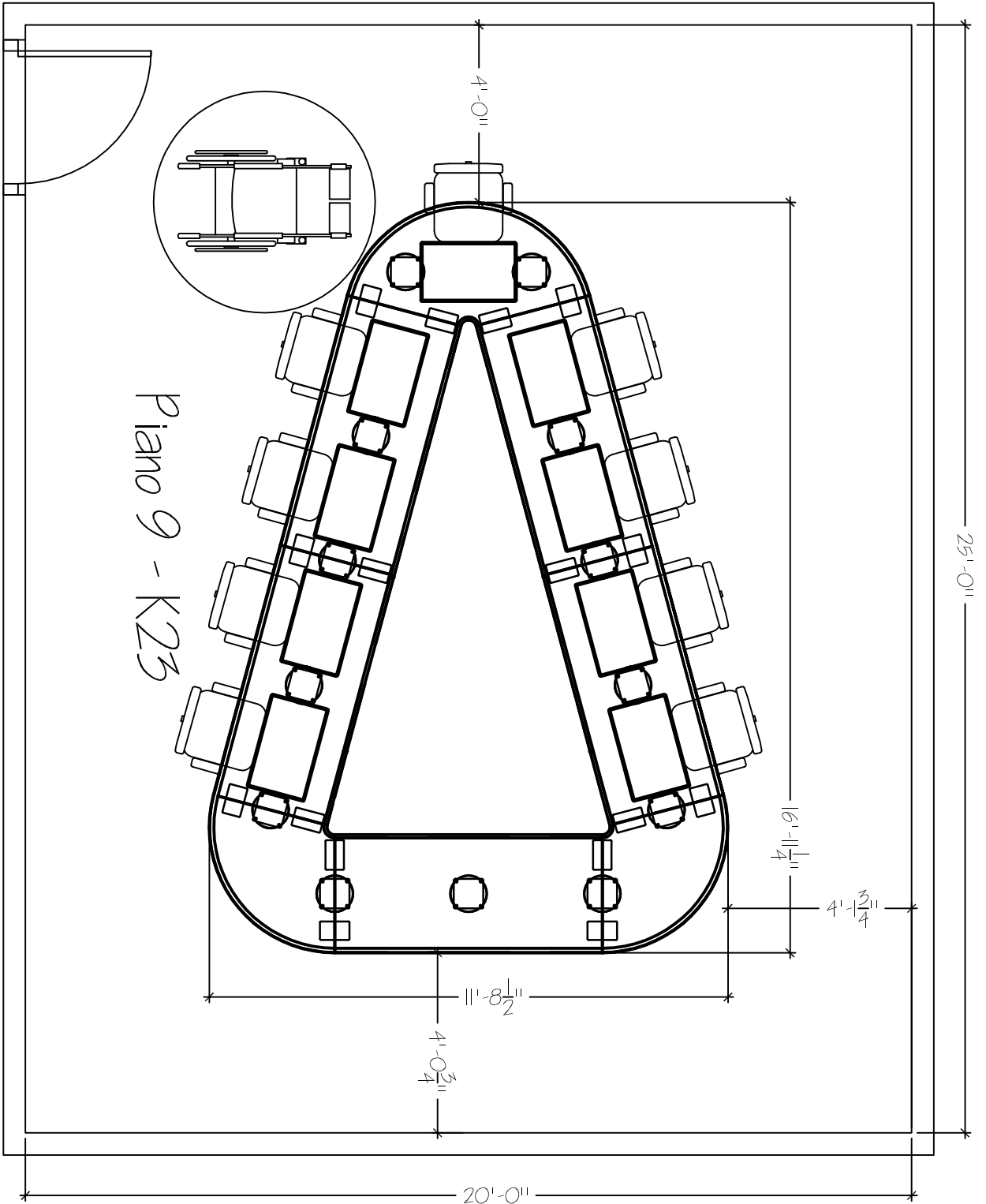


PIANO TABLE 9-K23  
 20'X25'  
 TABLE COUNT: 1



SMARTdesks  
 514F Progress Drive  
 Linthicum, MD 21090  
 800.770.7042  
 www.smartdesks.com

Property of CBT Supply, Inc. Not to be duplicated.  
 All ideas, plans or arrangements indicated in this drawing  
 are copyrighted and owned by CBT Supply, Inc. and shall not  
 be reproduced, used or disclosed to any person or firm or  
 corporation without written permission of CBT Supply, Inc.

**SMARTdesks**  
 DESIGN CENTER